


## Retroreflective Tape

NOTE: Sensing range and signal strength at any given sensor-to-target distance will vary due to target reflectivity and target area. A "Reflectivity Factor" is included for each target model to help predict sensor performance, relative to the excess gain curve plotted for target model BRT-3. Consider, also, target area when predicting performance. Changing to a high reflectivity reflector (like BRT-92X92C) may also extend sensor range and/or reduce the need for frequent reflector maintenance. A high reflectivity factor AND large surface area are needed for maximum range.

Reflectivity Factor	Maximum Temperature	Size	Model	Unit	
0.7	60° C	75 x 75 mm	BRT-THG-3X3-10	10 per pack	
0.7	60° C	100 x 100 mm	BRT-THG-4X4-5	5 per pack	
0.7	60° C	216 x 280 mm	BRT-THG-8.5X11-2	2 per pack	
0.7	60° C	457 x 914 mm	BRT-THG-18X36	Single sheet	
0.7	60° C	25 mm wide	BRT-THG-1-100	2.5 m length	
0.7	60° C	50 mm wide	BRT-THG-2-100	2.5 m length	
0.7	60° C	75 mm wide	BRT-THG-3-100	2.5 m length	
0.07	175° C	25 mm wide	BRT-THT-100†	2.5 m length	
0.8	60° C	50 x 50 mm	BRT-TVHG-2X2*	4 per pack	
0.8	60° C	203 x 254 mm	BRT-TVHG-8X10P†	1 per pack	

NOTE: Retroreflective material has a pressure-sensitive adhesive. For maximum adhesion, surfaces must be clean and dry before applying. For best results, use full size; target may be trimmed as necessary.

† These targets are not recommended for polarized retroreflective sensors.

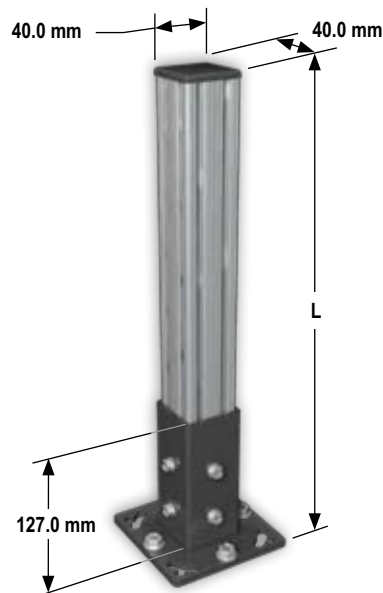
\* These are sealed micro-prism style pieces and may not be cut.

Suitable for use with Laser sensors, VS3 sensors and SME312LPC model sensors.

Not suggested for close range (less than 102 mm) except with VS3 sensors.

## MSA Stands

- Supports emitter, receiver or corner mirror
- Available without stand base, for attaching to a surface
- Assembles easily
- Includes mounting hardware
- Provides mounting T-slots with center dimension of 20 mm



## MSA Series Stands

Used With**	Stand Height (L)	Useable Stand Length	Model*
EZ-SCREEN, PICO-GUARD Grids/Points, Mirrors, EZ-ARRAY, MINI-ARRAY and High-Resolution MINI-ARRAY	616 mm	483 mm	MSA-S24-1
	1073 mm	940 mm	MSA-S42-1

\* Available without a base by adding suffix **NB** to model number (example, **MSA-S24-1NB**).

\*\* Adapter brackets EZA-MBK-2 (2 each) are required for mounting EZ-SCREEN Grid and Point emitters/receivers or SSM Series mirrors (ordered separately).

More on next page

## MSA Series Stands (cont'd)

Used With**	Stand Height (L)	Useable Stand Length	Model*
EZ-SCREEN, PICO-GUARD Grids/Points, Mirrors, EZ-ARRAY, MINI-ARRAY and High-Resolution MINI-ARRAY	1682 mm	1550 mm	MSA-S66-1
	2140 mm	2007 mm	MSA-S84-1
	2673 mm	2667 mm	MSA-S105-1
SFP12 Safety Points	1067 mm	940 mm	SFPA-AG12-1
SFP30 Safety Points	1067 mm	940 mm	SFPA-AG30-1

\* Available without a base by adding suffix **NB** to model number (example, **MSA-S24-1NB**).

\*\* Adapter brackets EZA-MBK-2 (2 each) are required for mounting EZ-SCREEN Grid and Point emitters/receivers or SSM Series mirrors (ordered separately).

Accessories

Brackets

Cordsets

Retroreflectors

Miscellaneous

Reference

## Run Bar Telescoping Stands

- Locates touch buttons 800 to 1232 mm above the floor surface
- Includes swivel-mount bracket to mount Run Bar (Run Bar not included, see page 556)
- Made of cold-rolled steel; black powdercoat finish



STBA...S1



STBA...S2

## Telescoping Stands

Used with	Description	Model
STB-VP6-RB1	<ul style="list-style-type: none"> <li>• Floor-mounted telescoping stand</li> <li>• Stationary base with 4 mounting holes in corners</li> </ul>	STBA-RB1-S1
STB-VP6-RB2		STBA-RB2-S1
STB-VP6-RB1	<ul style="list-style-type: none"> <li>• Free-standing, telescoping stand</li> <li>• Movable H-shaped floor base with mounting holes 560 mm apart</li> </ul>	STBA-RB1-S2
STB-VP6-RB2		STBA-RB2-S2

## Adjustable Mounting Systems

- Provides flexible mounting and positioning of sensors and lights
- Includes 3" and 6" column mounting kits for mounting area lights and backlights
- Features Bogen Arm and clamp for use with *P4* and *Pro* sensors
- Offers 2" mounting knuckle assembly for spot lights



SMBPPLK



SMBPPK6



SMBPPK3



SMBPPF1 &amp; SMBPPFB

## Adjustable Mounting Systems

Used With	Description	Model
Pro P4 Vision Lights	3" Column, Base, and Knuckle Kit	SMBPPK3
	6" Column, Base, and Knuckle Kit	SMBPPK6
	Mounting Bracket Knuckle	SMBPPK
	3" Column	SMBPPKE3
	6" Column	SMBPPKE6
	Mounting Bracket Base	SMBPPKB
	2" Mounting Knuckle Assembly	SMBPPLK
	Bogen Arm with Single Knob	SMBPPF1
	Bogen Arm Clamp	SMBPPFB

## Elevated Use—Stand-off Pipe, Brackets and Adapters

	Description	Length	Model	Used With
	Thermoplastic Acetal adapter and cover (M30 to 1/2" NPSM/DN15)	—	SA-M30TE12	Connects TL50 to 1/2" NPSM/DN15 pipe
	Thermoplastic Acetal adapter and cover (M30 to 1/2" NPSM/DN15)	—	SA-M30E12	Connects K50L & K80L to 1/2" NPSM/DN15 pipe
	Stainless steel pipe (1/2" NPSM/DN15)	150 mm	SOP-E12-150SS	K50L K80L TL50
		300 mm	SOP-E12-300SS	
	Anodized aluminum pipe (1/2" NPSM/D15)	150 mm	SOP-E12-150A	
		300 mm	SOP-E12-300A	
Thermoplastic Acetal mounting base (1/2" NPSM/DN15 to M30)	—	SA-E12M30		
	Stainless steel bracket for wall or other flat surfaces	—	SMBE12USS	SOP-E12-150A SOP-E12-300A SOP-E12-150SS SOP-E12-300SS